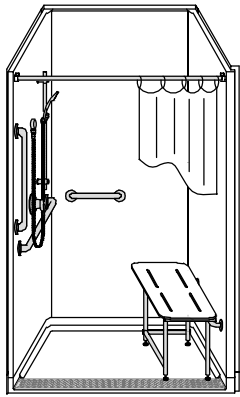
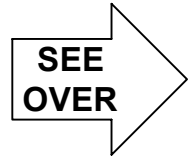
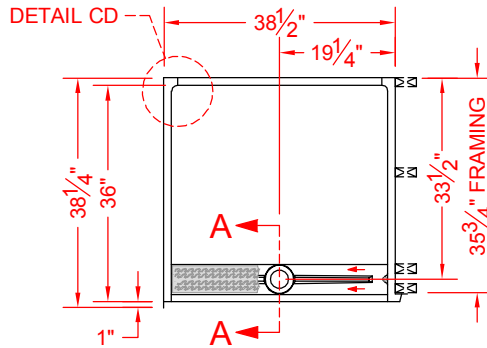


MODEL: 4LSS24038A75FTT.V2*

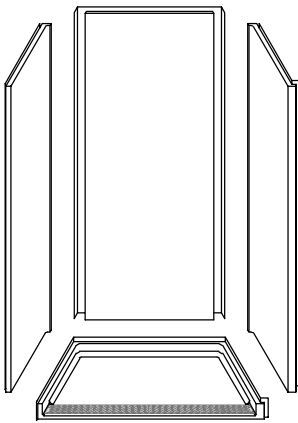
ALL ACCESSORIES OPTIONAL



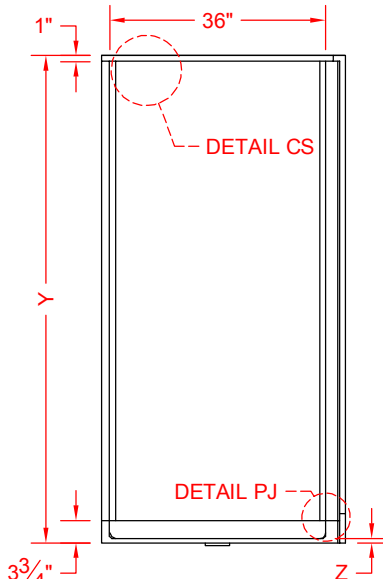
PERSPECTIVE VIEW - N.T.S.
MODEL SHOWN HERE AS:
 LEFT PLUMBING
 RIGHT SEAT



TOP VIEW - SCALE $\frac{3}{8}'' = 1'-0''$



ASSEMBLY VIEW - N.T.S.



FRONT ELEVATION - SCALE: $\frac{3}{8}'' = 1'-0''$

Features:

- Molded, Four-piece gelcoat/fiberglass barrier free shower module
- "Smooth" wall finish, white (standard)
- Integral full wood backing for strength and unlimited accessory placement
- Available in various threshold heights
- On all threshold heights 1-1/2" or taller, no mud set is required
- On all threshold heights 1-1/4" or shorter, no mud set is required and an anchoring adhesive kit is supplied

MODEL #	UNIT THRESHOLD HEIGHT	
	Y	Z*
4LSS24038A75FTT.V2	81-1/4"	3/4" MIN.
4LSS24038A2FTT.V2	82-1/2"	2" MAX.

* - SEE BACK FOR DETAIL SECTIONS

PRODUCT SPECIFICATIONS:

- Multi-piece shower module shall be constructed of gelcoat/fiberglass with full integral plywood backing
- Rough-In: Stud opening +1/4" -0" Nominal Dimensions.

C.S.I. FORMAT SPECIFICATION TEXT AVAILABLE

PRODUCT INFORMATION:

- Accessories: Polished chrome/satin stainless standard, others available.
- Colors: White as standard, others to match any major fixture manufacturer, also available with sprayable solid surface in many colors
- Custom curb heights, other than shown, are available (between min. and max.)

NOTICE OF LIMITATION:

- Adhere to floor as required

ACCESSORIES:

- INSTALLED BY OTHERS:**
- Stainless Steel Grate and No-caulk brass drain (Included)
 - Seat, folding
 - Grab Bar
 - Soap Dish
 - Mixing Valve, Pressure-Balancing, lever handle, pre-plumbed tree to supply elbow
 - Curtain Rod and Brackets
 - Flange-Window trim kits

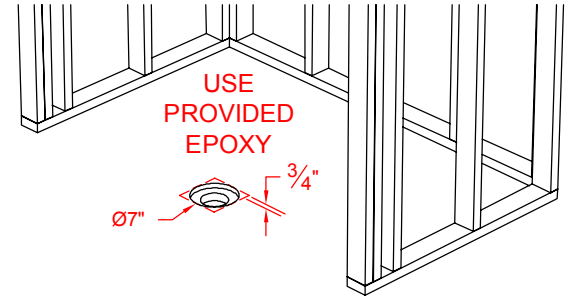
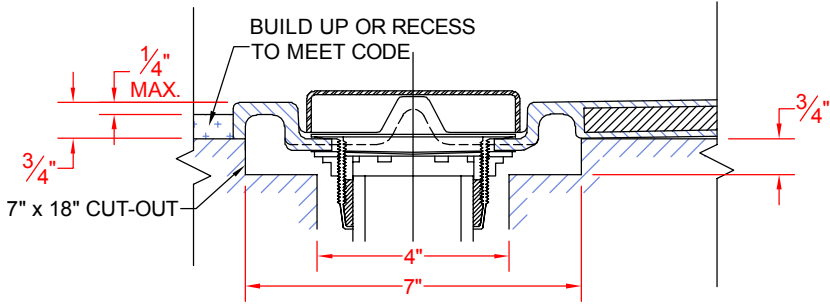
CODES:

- Designed and manufactured in compliance with the following standards and codes:
- A.N.S.I. Z124.2 Standards for Plastic Showers
 - I.P.C. International Plumbing Code
 - U.P.C. Uniform Plumbing Code



We reserve the right to make revisions without notice in the design of fixtures or in packaging unless this right has specifically been waived at the time the order is accepted.

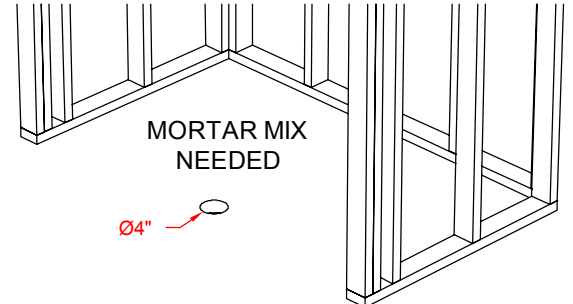
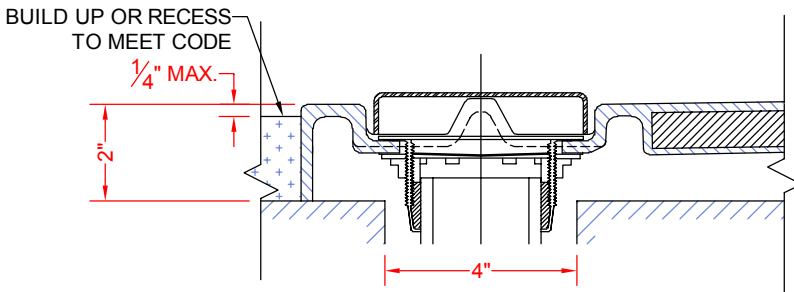
□ 4LSS24038A75FTT.V2



FOR MODELS ENDING IN 75FTT.V2,
INSTALLATION REQUIRES A 7" x 18" x 3/4" CUT-OUT.

SECTION A-A - SCALE: 3" = 1'-0"

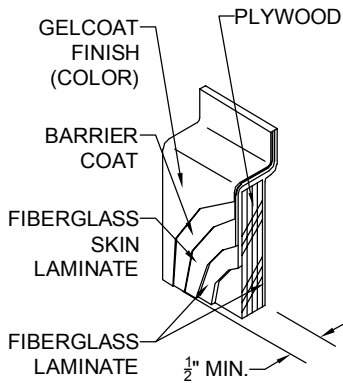
□ 4LSS24038A2FTT.V2



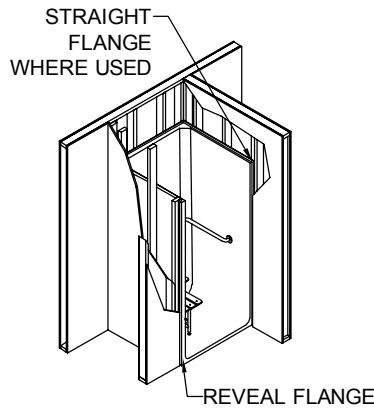
FOR MODELS ENDING IN 15FTT.V2, 17FTT.V2, OR 2FTT.V2,
INSTALLATION REQUIRES A 4" DRAIN HOLE.

SECTION A-A - SCALE: 3" = 1'-0"

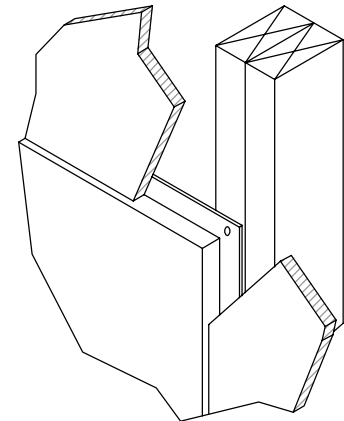
****OTHER THRESHOLD HEIGHTS AVAILABLE UPON REQUEST****



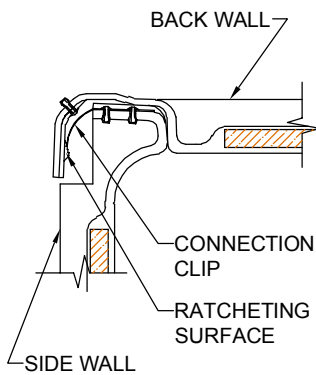
DETAIL CS - SCALE: N.T.S.
CROSS SECTION DETAIL



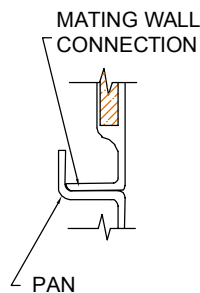
DETAIL FD - SCALE: N.T.S.
FRAMING DETAIL



DETAIL DD - SCALE: N.T.S.
DRYWALL DETAIL



DETAIL CD - SCALE: 3" = 1'-0"
CORNER DETAIL



DETAIL PJ - SCALE: 3" = 1'-0"
PAN JOINT DETAIL