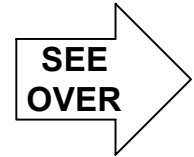
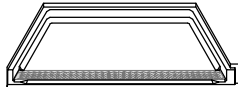
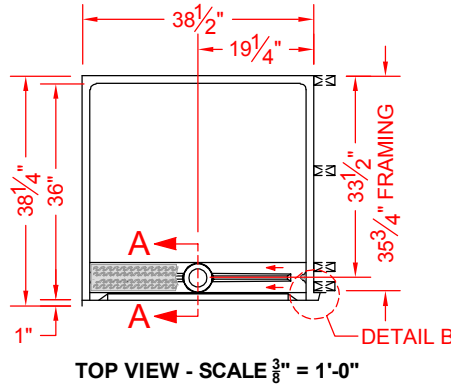


# MODEL: P24038A75FTB.V2\*



ALL ACCESSORIES OPTIONAL

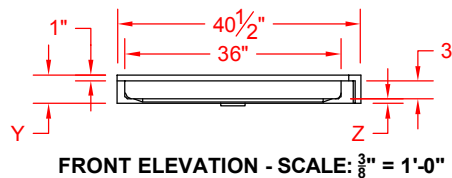


PERSPECTIVE VIEW - N.T.S.  
 MODEL SHOWN HERE AS:  
 LEFT UNIT  
 RIGHT REVEAL

## Features:

- ADA compliant, transfer shower pan with a trench drain and stainless steel grate
- Available in various threshold heights
- On all threshold heights 1-1/2" or taller, no mud set is required
- On all threshold heights 1-1/4" or shorter, no mud set is required and an anchoring adhesive kit is supplied

## \*OTHER THRESHOLD HEIGHTS AVAILABLE UPON REQUEST



MODEL #	UNIT HEIGHT	THRESHOLD HEIGHT
P24038A75FTB.V2	Y	Z*
P24038A2FTB.V2	4-3/4"	3/4" MIN.
	6"	2" MAX.

\* - SEE BACK FOR DETAIL SECTIONS

## PRODUCT SPECIFICATIONS:

- Shower pan module shall be constructed of gelcoat/fiberglass with full integral plywood backing and trench drain under stainless steel drain grate.
- Rough-In: Stud opening +1/4" -0" Nominal Dimensions.

C.S.I. FORMAT SPECIFICATION TEXT AVAILABLE

## PRODUCT INFORMATION:

- Accessories: Factory installed, unless prone to damage during installation/shipping. Polished chrome/satin stainless standard, others available.
- Colors: White as standard, others to match any major fixture manufacturer, also available with sprayable solid surface in many colors
- Custom curb heights, other than shown, are available (between min. and max.)

## ACCESSORIES:

- INSTALLED BY OTHERS:
- Trench Grate and No-caulk brass drain (Included)

## CODES:

- Designed and manufactured in compliance with the following standards and codes:
- A.N.S.I. Z124.2 Standards for Plastic Showers
  - I.P.C. International Plumbing Code
  - U.P.C. Uniform Plumbing Code
  - A.D.A. Accessibility Guidelines for Buildings and Facilities
  - A.N.S.I. A117.1 Accessible and Usable Buildings and Facilities

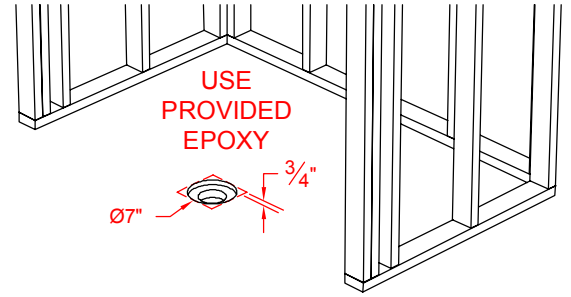
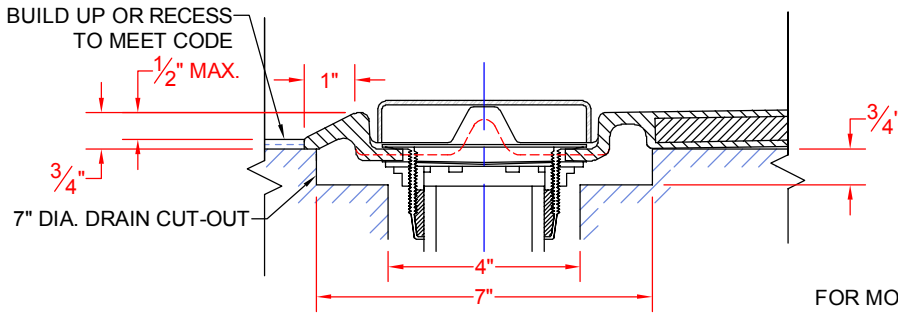
## NOTICE OF LIMITATION:

- Adhere to floor as required



We reserve the right to make revisions without notice in the design of fixtures or in packaging unless this right has specifically been waived at the time the order is accepted.

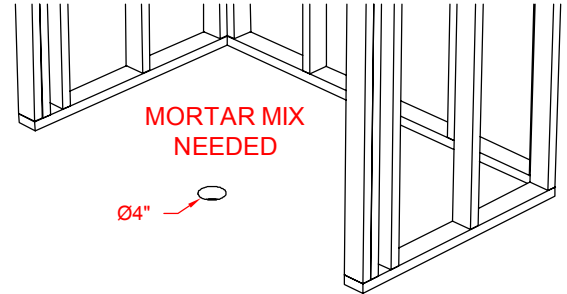
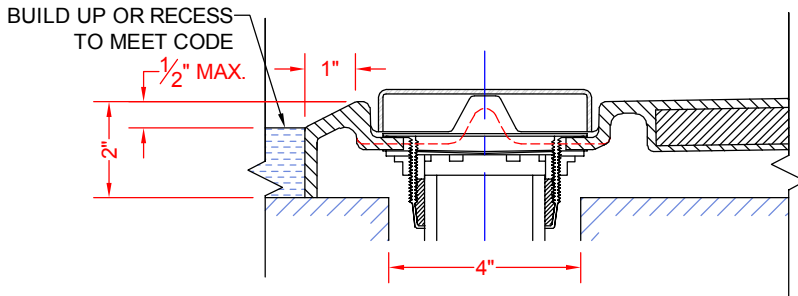
**P24038A75FTB.V2**



FOR MODELS ENDING IN 75FTB.V2, 1FTB.V2, OR 12FTB.V2,  
INSTALLATION REQUIRES A 7" DIAMETER (OR 7" x 7" SQ) x 3/4" CUT-OUT.

SECTION A-A - SCALE: 3" = 1'-0"

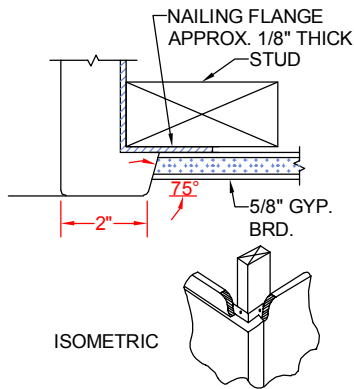
**P24038A2FTB.V2**



FOR MODELS ENDING IN 15FTB.V2, 17FTB.V2, OR 2FTB.V2,  
INSTALLATION REQUIRES A 4" DRAIN HOLE.

SECTION A-A - SCALE: 3" = 1'-0"

**\*\*OTHER THRESHOLD HEIGHTS AVAILABLE UPON REQUEST\*\***



DETAIL B - SCALE: NTS  
REVEAL DETAIL